

Catalog Number	
2PM4 GB 2 32 18LD MVOLT GEB10IS LP735	
Notes	Type

FEATURES & SPECIFICATIONS

INTENDED USE

Deep cell parabolic luminaires for use in open area applications and electronic offices where optical control, visual comfort and light cut-off are important.

ATTRIBUTES

Design optimized for use with T8 lamps and low-profile electronic ballasts. Choice of diffuse or specular louvers utilizing the latest developments in louver finishing for minimized louver iridescence.

CONSTRUCTION

Black reveal provides floating louver appearance, conceals optional air-supply slots.

Square cornered end plates improve strength and durability.

Integral T-bar safety clips hold fixture to T-bar securely; no fasteners required.

Heavy gauge hinges die-formed for maximum strength; spring action latches concealed in black reveal.

Housing formed from cold-rolled steel. Louver formed from anodized aluminum. No asbestos used in this product.

Overlapping flange and modular ceiling trims available factory installed with swing gate hangers or field convertible with optional trim and hangers.

FINISH

Five-stage iron-phosphate pretreatment ensures superior paint adhesion. Painted parts finished with high-gloss, baked white enamel.

ELECTRICAL SYSTEM

Thermally-protected, resetting, Class P, HPF, non-PCB, UL Listed, CSA certified ballast is standard.

Electronic ballasts are sound rated A.

Fixture conforms to UL1570 and is suitable for damp locations. AWM, TFN or THHN wire used throughout, rated for required temperatures.

LISTING

UL Listed (Standard), CSA Certified or NOM Certified (see Options).

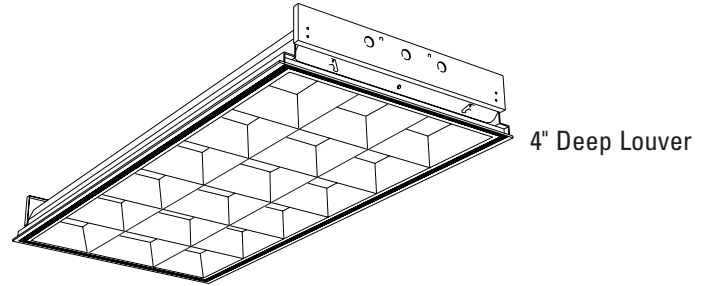
WARRANTY

Guaranteed for one year against mechanical defects in manufacture.

Specifications subject to change without notice.

PARAMAX® Parabolic Troffer

2PM4 2'x4'



4" Deep Louver

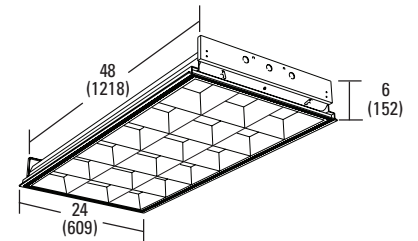
Specifications

Length: 24 (609)

Width: 48 (1218)

Depth: 6 (152)

Weight: 36 lbs (16 kg)



All dimensions are inches (millimeters) unless otherwise specified.

ORDERING INFORMATION

Example: 2PM4 G B 3 32 18LD MVOLT 1/3 GEB10IS

2PM4	G	B	2	32	18LD	MVLT	GEB10IS LP735
Series	Air function		Lamp type		Voltage	Options²	
2PM4 Paramax 4" deep cell parabolic, 2' wide	A Air supply/return (slots in side trim)	H Heat removal (through lamp cavity, dampers available)	32 32W T8 (48")		120, 277, 347, MVOLT ¹	1/3 One 3-lamp ballast 1/4 One 4-lamp ballast GEB10IS Electronic ballast, ≤10% THD, Instant Start GEB10RS Electronic ballast, ≤10% THD, Rapid Start EL Emergency battery pack (nominal 300 lumens; see Fluorescent Battery Packs tab) LST Tandem fixture pairs (shared ballasts) PWS1836 6' prewire, 3/8" dia., 18-gauge, 3 wires GLR Internal fast-blow fuse ⁴ GMF Internal slow-blow fuse ⁴ LP__ Lamped; specify lamp type and color CRE Flanged trim for continuous row mounting (end) CRM Flanged trim for continuous row mounting (middle) ACS Air closure strips (A and D models only) HRD Heat-removal dampers APB Air-pattern control blades (A and D models only) PAF Painted after fabrication (white enamel) 2R Two reflector channel covers ³ JP Palletized and stretch-wrapped (G and MT trim only)	
Trim type	B No air function	D Dual function supply/return/removal	Number of lamps		Others available.		
G Grid F Overlapping flange MT Modular fit-in ST Screw slot			2, 3, 4 Not included.	Number of cells			
				12, 16, 18, 24, 32	Louver finish		
					LD Low iridescent anodized diffuse silver LS Low iridescent anodized specular silver		
						CSA CSA Certified NOM NOM Certified	

NOTES:

1 MVOLT standard for 120V and 277V applications. Some options require voltage specified.

2 Some options increase fixture depth. Consult factory if plenum space is a concern.

3 Available with 3-lamp 18 or 24 cell only.

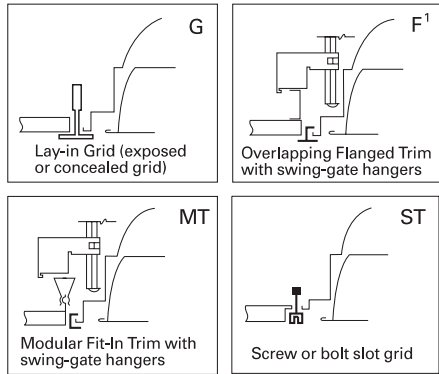
4 Must specify voltage.

2PM4 2'x4' 4" Louver Family

MOUNTING DATA

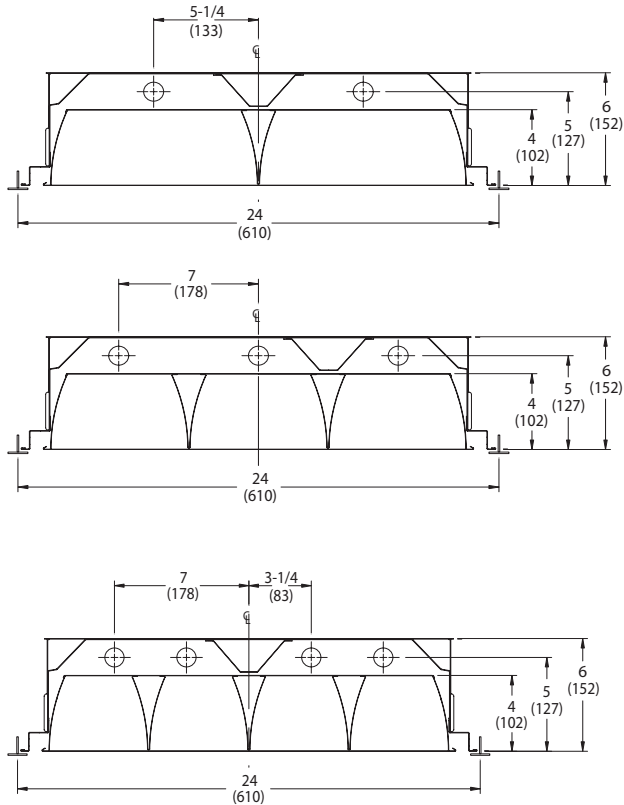
Continuous row mounting of flanged units requires CRE and CRM trim options (see options).

Ceiling Type	Appropriate Trim Type
Exposed grid tee	G
Concealed grid tee	G, ST
Concealed Z-spline	F, MT
Metal pan (consult factory)	MT
Screw slot (consult factory)	ST
Acoustical tile, plaster or plasterboard on rigid support parallel to lamps	F



NOTE:
1 Recommended rough-in dimensions for F trim fixtures 24"x48"
(Tolerance is +1/4", -0"). Swing-gate range 1-7/16" to 3-7/16", span 23-1/2" to 26-7/16".

DIMENSIONS



PHOTOMETRICS

Calculated using the zonal cavity method in accordance with IESNA LM41 procedures. Floor reflectances are 20%. Lamp configurations shown are typical. Full photometric data on these and other configurations available upon request.

Energy (Calculated in accordance with NEMA standard LE-5)

LER.FP	ANNUAL ENERGY COST*	LAMP DESCRIPTION	LAMP LUMENS	BALLAST FACTOR	WATTS
61 (LD louver)	\$3.93	(2) 32WT8	2850	.87	58
55 (LD louver)	\$4.36	(3) 32WT8	2850	.88	85
50 (LD louver)	\$4.80	(4) 32WT8	2850	.88	112

* Comparative yearly lighting energy cost per 1000 lumens.

TEST NO: LTL14421

LUMINAIRE CATALOG NO.: 2PM4 G B 3 32 18LD 1/3 GEB
LUMENS PER LAMP: 2850
LAMPS PER LUMINAIRE: 3

RCR	pf	pc	Coefficients of Utilization								
			20%			70%			50%		
			50%	30%	10%	50%	30%	10%	50%	30%	10%
0	74	74	74	72	72	72	69	69	69		
1	66	64	63	65	63	62	63	61	60		
2	59	56	53	58	55	53	56	54	51		
3	53	49	46	52	48	45	51	47	45		
4	48	43	40	47	43	39	46	42	39		
5	43	38	35	43	38	35	41	37	34		
6	39	34	31	39	34	31	38	33	30		
7	36	31	27	35	31	27	34	30	27		
8	33	28	25	32	28	25	32	27	24		
9	30	25	22	30	25	22	29	25	22		
10	28	23	20	28	23	20	27	23	20		

Zonal Lumen Summary			
Zone	Lumens	% Lamp	% Fixture
0° - 30°	1859.3	21.7	35.2
0° - 40°	3105.6	36.3	58.8
0° - 60°	4948.2	57.9	93.7
0° - 90°	5282.5	61.8	100.0
90° - 180°	0.0	0.0	0.0
0° - 180°	5282.5	61.8	100.0

TEST NO: LTL14494

LUMINAIRE CATALOG NO.: 2PM4 G B 2 32 12LD GEB
LUMENS PER LAMP: 2850
LAMPS PER LUMINAIRE: 2

RCP	pf	pc	pw	Coefficients of Utilization								
				20%			70%			50%		
				50%	30%	10%	50%	30%	10%	50%	30%	10%
0	84	84	84	82	82	82	78	78	78			
1	75	73	71	74	71	69	71	69	67			
2	67	63	59	65	62	58	63	60	57			
3	59	54	50	58	53	50	56	52	49			
4	53	47	43	52	47	43	50	46	42			
5	47	41	37	47	41	37	45	40	37			
6	43	37	32	42	36	32	41	36	32			
7	39	33	29	38	33	29	37	32	28			
8	35	29	25	35	29	25	34	29	25			
9	32	27	23	32	26	23	31	26	23			
10	30	24	21	29	24	21	29	24	21			

Zonal Lumen Summary			
Zone	Lumens	% Lamp	% Fixture
0° - 30°	1189.9	20.9	29.6
0° - 40°	2033.4	35.7	50.6
0° - 60°	3673.1	64.4	91.5
0° - 90°	4015.0	70.4	100.0
90° - 180°	0.0	0.0	0.0
0° - 180°	4015.0	70.4	100.0

TEST NO: LTL14436

LUMINAIRE CATALOG NO.: 2PM4 G B 4 32 32LD 1/4 GEB
LUMENS PER LAMP: 2850
LAMPS PER LUMINAIRE: 4

RCP	pf	pc	pw	Coefficients of Utilization								
				20%			70%			50%		
				50%	30%	10%	50%	30%	10%	50%	30%	10%
0	67	67	67	65	65	65	62	62	62			
1	60	59	57	59	57	56	57	55	54			
2	54	51	49	53	51	48	51	49	47			
3	49	45	42	48	45	42	46	44	41			
4	44	40	37	43	40	37	42	39	36			
5	40	36	33	39	35	32	38	35	32			
6	36	32	29	36	32	29	35	31	29			
7	33	29	26	33	29	26	32	28	26			
8	31	26	23	30	26	23	30	26	23			
9	28	24	21	28	24	21	27	24	21			
10	26	22	19	26	22	19	25	22	19			

Zonal Lumen Summary			
Zone	Lumens	% Lamp	% Fixture
0° - 30°	2446.4	21.5	38.4
0° - 40°	3921.0	34.4	61.5
0° - 60°	6078.7	53.3	95.4
0° - 90°	6374.3	55.9	100.0
90° - 180°	0.0	0.0	0.0
0° - 180°	6374.3	55.9	100.0



An AcuityBrands Company